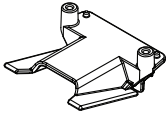




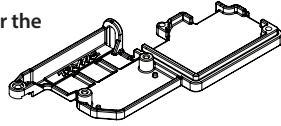
Expander Mount Installation Instructions

Covers Part #6558

Use this kit part for the Funny Car:

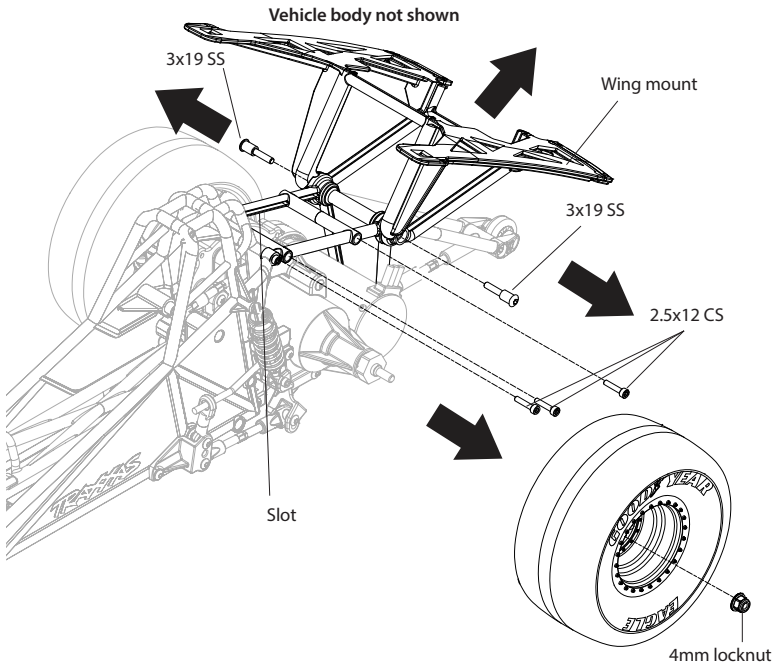


Use this kit part for the Nitro 4-Tec:

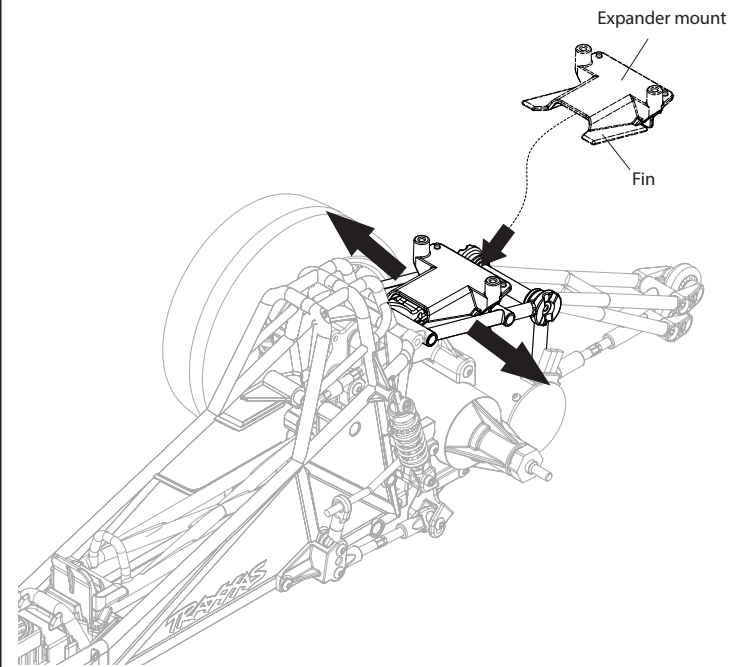


Funny Car

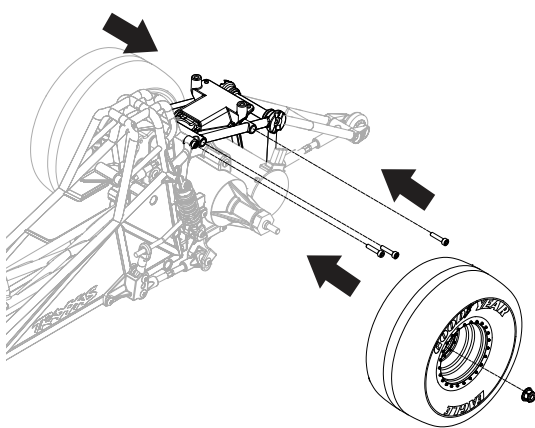
A Remove the vehicle body, the left rear wheel, and the fasteners from the rear frame.



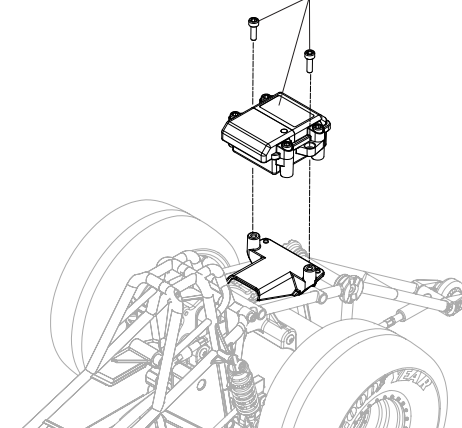
B Install the Expander mount.



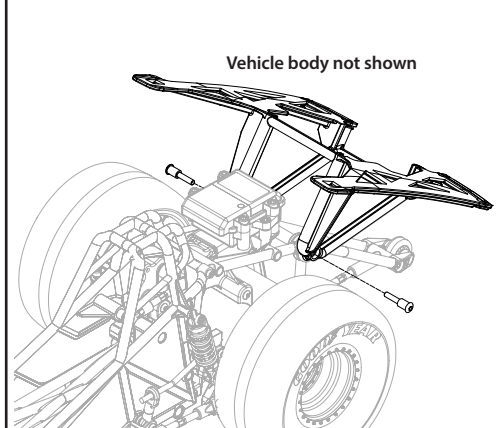
C Reinstall the fasteners and the left rear wheel.



D Telemetry Expander (Part #6550X, sold separately)

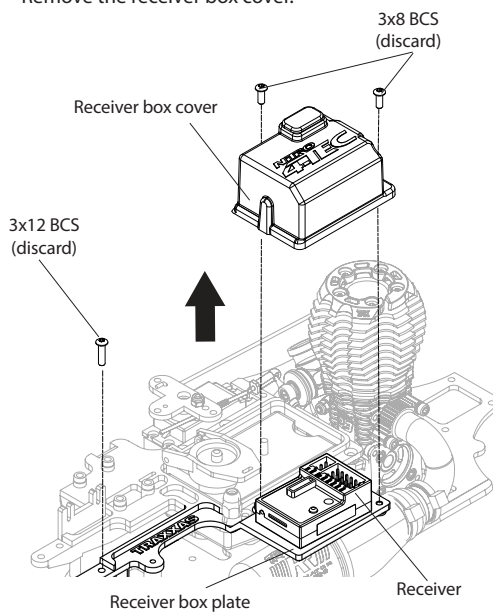


E Reinstall the vehicle body.



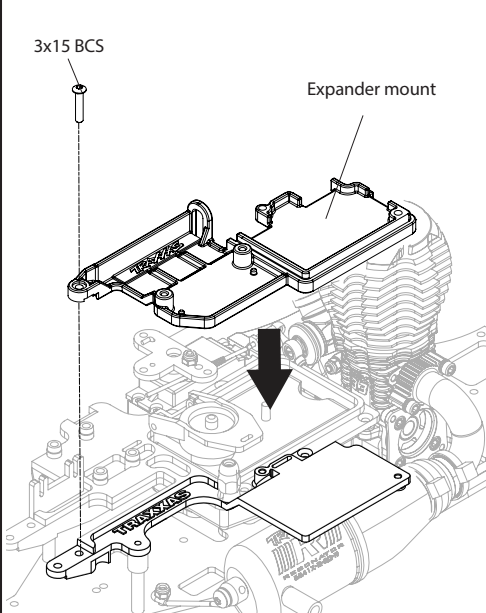
Nitro 4-Tec

A Remove the 3x8 BCS (2) and 3x12 BCS (1) and discard. Remove the receiver box cover.



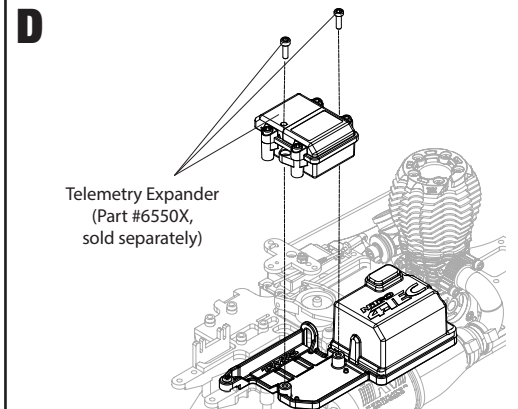
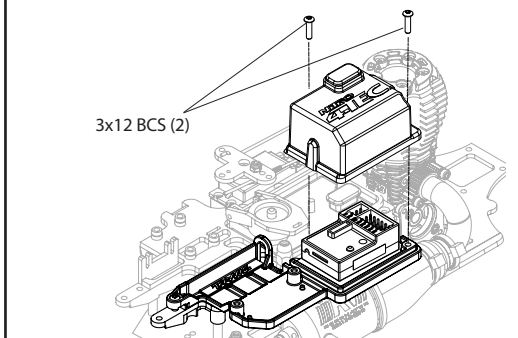
Note: After removal of the receiver box cover, carefully lift and move the receiver and wiring to allow installation of the Expander mount over the receiver box plate.

B Install the Expander mount.



Note: Once the Expander mount is installed, reposition the receiver box and wiring on the Expander mount.

C Replace the receiver box cover.



If you have questions or need technical assistance, call Traxxas at

1-888-TRAXXAS

(1-888-872-9927) (U.S. residents only)

TRAXXAS.COM